

國立臺灣科技大學九十九年度電力電子產業研發碩士專班招生(秋)試題
 系所組別：電力電子領域
 科目：電路學

(總分為 100 分)

不得使用計算器

1. Obtain V_o and I_o in the circuit of Fig. P1 (10 %)

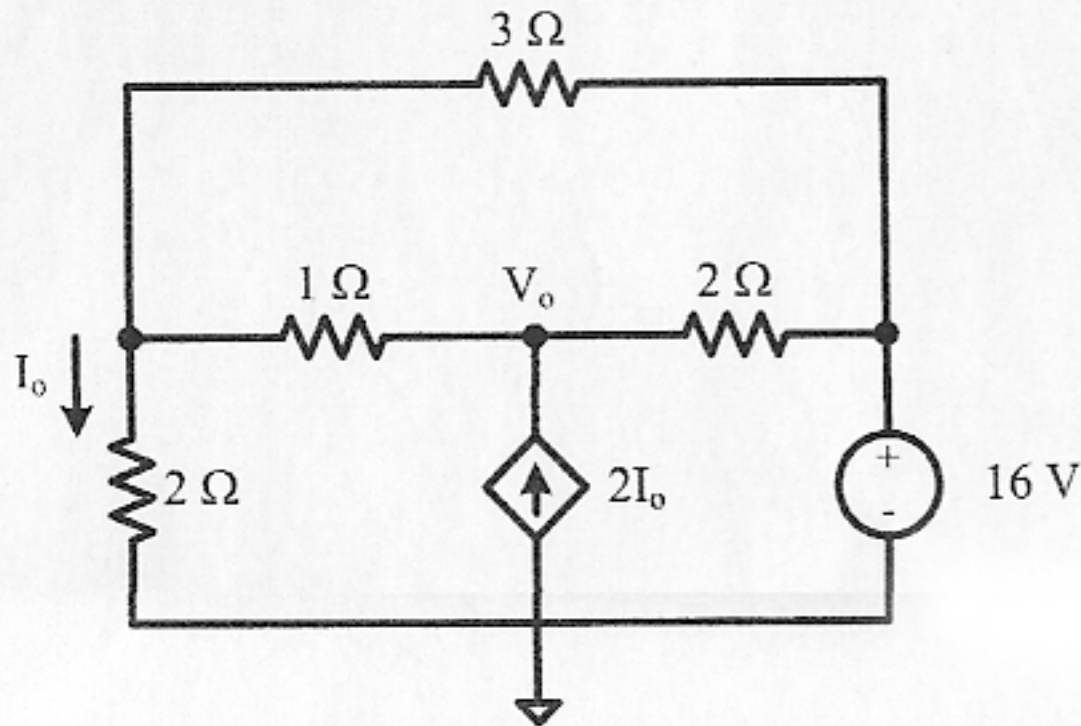


Fig. P1

2. The circuit in Fig. P2 represents an unbalanced bridge. If the galvanometer has a resistance of $10\ \Omega$, find the current through the galvanometer I_G . (10 %)

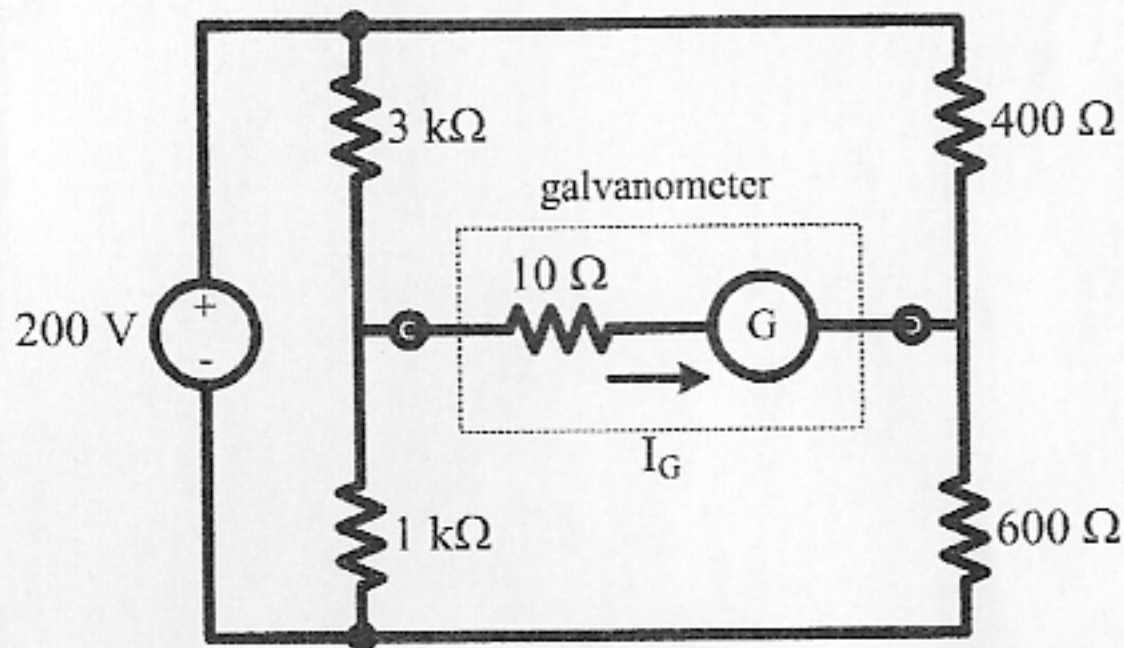


Fig. P2

3. For the instrumentation amplifier shown in Fig. P3, find the relationship between V_o and V_1 , V_2 (Assuming the OP AMP is ideal) (15 %)

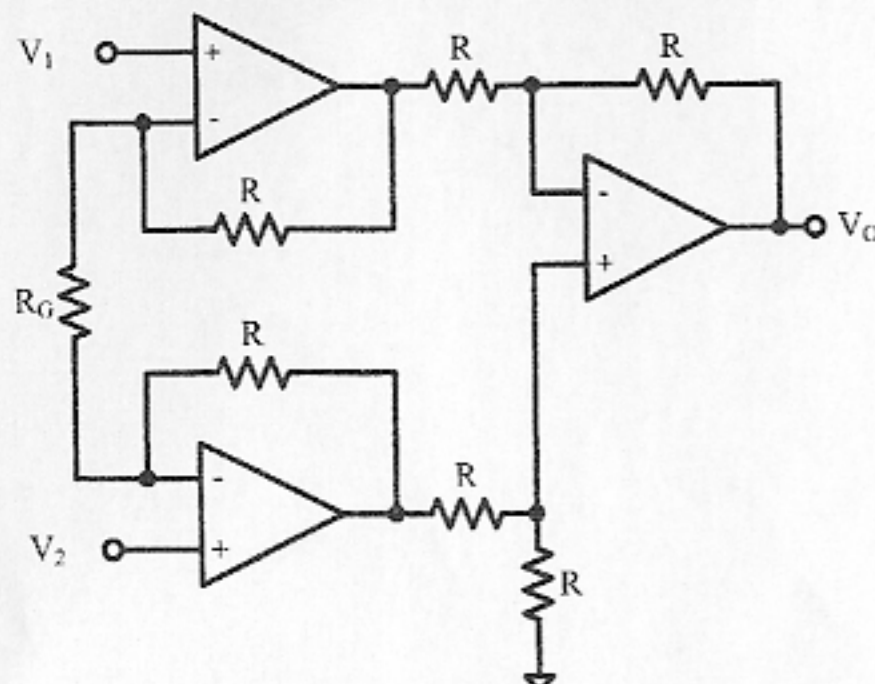


Fig. P3

